

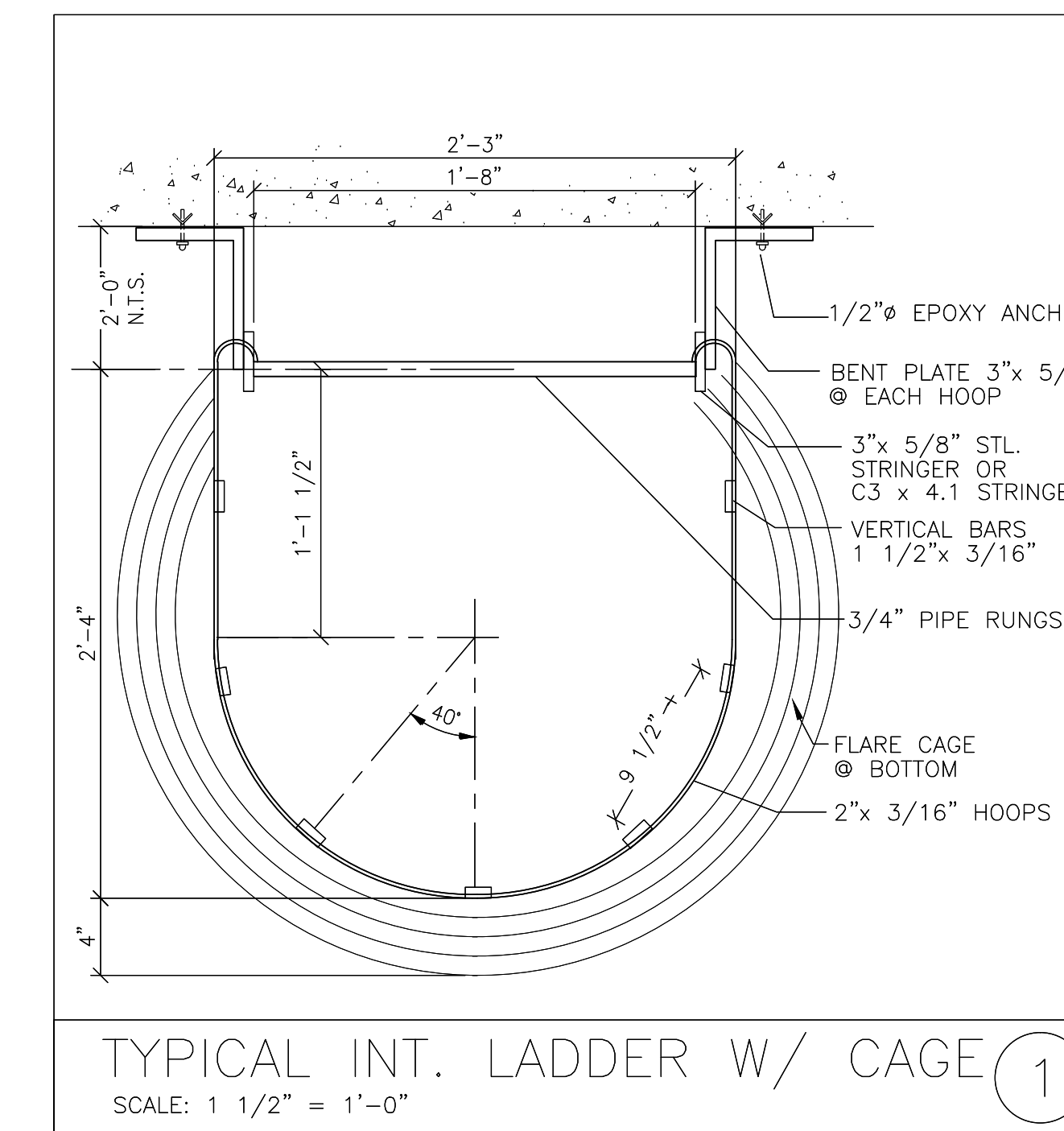
FLOOR PLAN

SCALE: 1/8" = 1'-0"

WALL TYPE SCHEDULE

| TYPE | DESCRIPTION | INSUL. | NOTES |
|------|--|--------|---|
| 1 | 3 5/8", 20 GA. METAL STUDS @ 16" O.C. WITH ONE LAYER OF 5/8" GYPSUM WALLBOARD ON EACH SIDE; EXTEND TO ROOF DECK | R-11 | BRACE WALL TO LIMIT DEFLECTION TO L/240 SOUND ATTENUATION BATT @ TOILET ROOMS, OFFICE & BREAKROOM |
| 2 | 6", 20 GA METAL STUDS @ 24" O.C. WITH ONE LAYER OF 5/8" GYPSUM WALLBOARD ON EACH SIDE; EXTEND WALL TO ROOF DECK | R-11 | BRACE WALL TO LIMIT DEFLECTION TO L/240 SOUND ATTENUATION BATT |
| 3 | 3 5/8", 20 GA. METAL STUDS @ 16" O.C. WITH ONE LAYER OF 5/8" GYPSUM WALLBOARD ON EACH SIDE; EXTEND TO 12" HIGHER THAN ADJACENT CEILINGS | R-11 | BRACE WALL TO LIMIT DEFLECTION TO L/240 SOUND ATTENUATION BATT |
| 4 | 6", EXTERIOR WALL STUDS WITH ONE LAYER OF 5/8", GYPSUM WALLBOARD ON ROOM SIDE; EXTEND WALL & INSULATION TO ROOF DECK | R-19 | PROVIDE STUD GAUGE & SPACING AS NOTED ON STRUCTURAL DRAWINGS FRAME WALL AROUND WINDOWS FIBERGLASS BATT INSULATION SEE WALL SECTIONS FOR STUCCO DETAILS |
| 5 | 3 5/8", 20 GA. METAL STUDS @ 16" O.C. WITH ONE LAYER OF 5/8" GYPSUM WALLBOARD ON EACH SIDE; EXTEND TO 9'-0" | | BRACE WALL TO LIMIT DEFLECTION TO L/240 PROVIDE WOOD TRIM CAP ON TOP OF WALL PROVIDE 7/16" PLYWOOD BEHIND GYP BD ON ONE SIDE OF WALL BETWEEN DRESSING ROOMS |
| 6 | 6", EXTERIOR WALL STUDS WITH INSULATION AND A SECOND ROW OF METAL STUDS 3 5/8", 20 GA. METAL STUDS @ 24" O.C. WITH ONE LAYER OF 5/8" GYPSUM WALLBOARD ON INTERIOR SIDE; EXTEND WALL & INSULATION TO ROOF DECK | R-19 | PROVIDE STUD GAUGE & SPACING AS NOTED ON THE STRUCTURAL DRAWINGS FIBERGLASS BATT INSULATION FRAME WALL AROUND BRACED FRAME- SEE DETAIL 2/A-1.1 SEE WALL SECTIONS FOR STUCCO DETAILS |
| 7 | 8" CMU EXTERIOR WALL WITH ONE LAYER OF 5/8" GYPSUM WALLBOARD ON 5/8", 20 GA. METAL STUDS ON INTERIOR SIDE; EXTEND WALL & INSULATION TO ROOF DECK | R-15 | PROVIDE STUD GAUGE & SPACING AS NOTED ON STRUCTURAL DRAWINGS FRAME WALL AROUND WINDOWS FIBERGLASS BATT INSULATION SEE WALL SECTIONS FOR STUCCO DETAILS |

- NOTES:**
- PROVIDE FIREBLOCKING AND DRAFTSTOPPING IN PARTITIONS PER FBC 717. PROVIDE FIREBLOCKING IN CONCEALED WALL SPACES INCLUDING VERTICALLY AT THE CEILING AND FLOOR LEVELS AND HORIZONTALLY AT INTERVALS NOT EXCEEDING 10' (FBC 717.2.2). SEE FBC 717.2.1 FOR FIREBLOCKING MATERIAL OPTIONS.
 - EXPOSED INSULATION MATERIALS INSTALLED SHALL HAVE A FLAME SPREAD RATING OF NOT MORE THAN 25 AND A SMOKE DEVELOPED RATING OF NOT MORE THAN 450 AS DETERMINED IN ACCORDANCE WITH ASTM E 84.
 - CONCEALED INSULATION MATERIALS INSTALLED SHALL HAVE A FLAME SPREAD RATING OF NOT MORE THAN 75 AND A SMOKE DEVELOPED RATING OF NOT MORE THAN 450 AS DETERMINED IN ACCORDANCE WITH ASTM E 84.
 - PROVIDE WATER RESISTANT GYPSUM BOARD AROUND PLUMBING FIXTURES AND WALLS TO RECEIVE CERAMIC TILE EQUAL TO USG'S FIBEROCK'S BRAND AQUA-TOUGH INTERIOR PANELS. GYPSUM WALLBOARD PRODUCTS MUST BE RATED FOR WET LOCATIONS IN ACCORDANCE WITH THE TILE COUNCIL OF NORTH AMERICA (TCNA) HANDBOOK. GREEN BOARD IS NOT APPROVED FOR TOILET ROOM LOCATIONS.
 - PROVIDE WOOD BLOCKING AS REQUIRED TO SUPPORT TOILET ROOM FIXTURES, ACCESSORIES, SHELVES & CABINETS, FIRE EXTINGUISHERS, ETC. WOOD BLOCKING IN FIRE-RATED WALLS SHALL BE FIRE-RATED. COMBUSTIBLE WOOD BLOCKING IN NON FIRE-RATED WALLS IS PERMITTED.
 - PROVIDE R-11 SOUND ATTENUATION BATT AROUND THE TOILET ROOMS.
 - PROVIDE 1X8 WOOD CHAIR RAIL AROUND PERIMETER OF RECEIVING ROOM. PROVIDE BLOCKING AS REQUIRED.
 - PLANS FOR FIRE-PROTECTION SPRINKLER SYSTEM (NOT PROVIDED BY DSAE), INCLUDING SUPPORT DETAILS, SHALL BE REVIEWED AND APPROVED BY THE LOCAL AUTHORITY PRIOR TO INSTALLATION FOR COMPLIANCE WITH THE FLORIDA BUILDING CODE 6TH EDITION (2017) AND NFPA 13 (LATEST EDITION).



TYPICAL INT. LADDER W/ CAGE 1
SCALE: 1 1/2" = 1'-0"

CRAIG A. SOMMERS, AIA
csommers@dsae.net
ARCHITECT - ARO016480

DSAE
DOHERTY SOMMERS
ARCHITECTS ENGINEERS, INC.
370 15th Ave S, Units A & B
Jacksonville Beach, FL 32250
904.249.0698 p
904.241.0691 f
www.dsae.net
Florida Certificate of Auth No.: 00009393
Florida License No.: AA26000952

NEW BUILDING
GOODWILL PARKWAY
ST. JOHNS COUNTY, FL 32218

| SHEET TITLE: FLOOR PLAN | |
|-------------------------|----------|
| NO. | REVISION |
| | |
| | |
| | |

DRAWN BY: CAS
CHECKED BY: CAS
DATE: 12-16-2019

SHEET
A-1

DESIGNER EXPRESSLY RESERVES HIS COPYRIGHT AND OTHER PROPERTY RIGHTS IN THESE DRAWINGS. THESE DRAWINGS, PLANS & DESIGNS ARE NOT TO BE REPRODUCED, COPIED OR USED IN ANY MANNER WITHOUT EXPRESSED WRITTEN PERMISSION AND CONSENT OF DOHERTY SOMMERS ARCHITECTS ENGINEERS, INC. THESE PLANS SHALL NOT BE DISTRIBUTED TO ANY PARTY WITHOUT SAID WRITTEN PERMISSION & CONSENT.